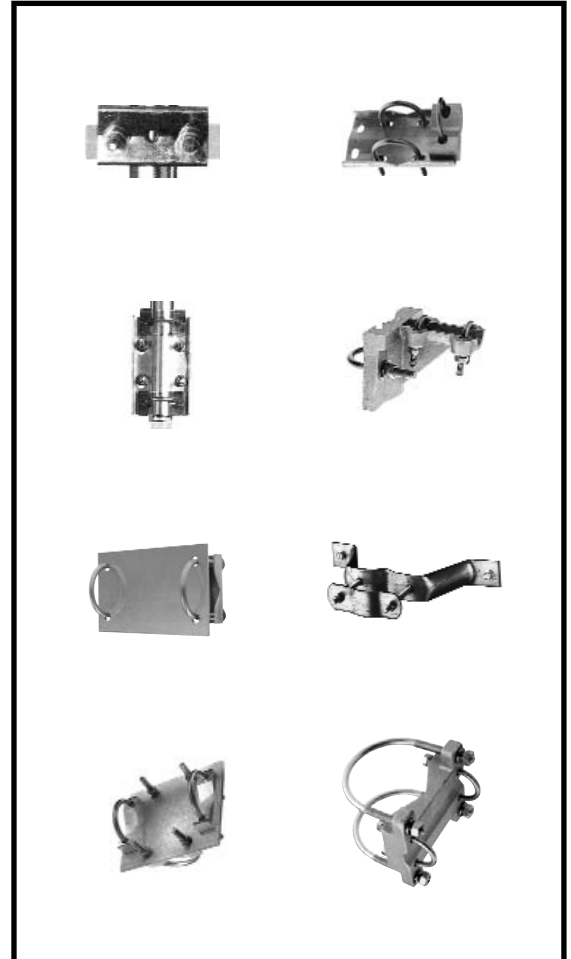


PRODUCT WARRANTY

WARRANTY. PCTEL, Inc. ("PCTEL") represents and warrants that the Products furnished hereunder shall be free from defects in material and workmanship for a period of two (2) years (except for MPRC and MPRD parabolic reflector antennas, and Bluewave series antennas, which are warranted for five (5) years) from the date of shipment by PCTEL under normal use and operation. PCTEL's sole and exclusive obligation under the foregoing warranty shall be, at its option, to repair or replace any defective Product that fails during the warranty period. The expense of removal and reinstallation of any item is not included in this warranty. THE FOREGOING WARRANTY IS EXCLUSIVE AND IN LIEU OF ALL OTHER WARRANTIES, EXPRESS OR IMPLIED, INCLUDING THE IMPLIED WARRANTIES OF MERCHANTABILITY AND FITNESS FOR A PARTICULAR PURPOSE AND ANY WARRANTIES ARISING FROM A COURSE OF DEALING, USAGE OR TRADE PRACTICE WITH RESPECT TO THE PRODUCTS. Repair or replacement in the manner provided herein shall be the sole and exclusive remedy of Buyer for breach of warranty and shall constitute fulfillment of all liabilities of PCTEL with respect to the quality and performance of the Product. PCTEL shall have no obligation to make repairs or replacement necessitated by catastrophe, fault, negligence, misuse, abuse, or accident by Buyer, Buyer's customers or any other users. PCTEL DOES NOT WARRANT THAT THE OPERATION OF THE PRODUCTS IS ERROR-FREE OR THAT OPERATION WILL BE UNINTERRUPTED. IN NO EVENT SHALL PCTEL BE RESPONSIBLE FOR DAMAGES OR CLAIMS OF ANY NATURE OR DESCRIPTION RELATING TO: (i) SYSTEM PERFORMANCE, INCLUDING COVERAGE; (ii) BUYER'S SELECTION OF PRODUCTS FOR BUYER'S APPLICATION; AND/OR (iii) FAILURE OF PRODUCTS TO MEET GOVERNMENT OR REGULATORY REQUIREMENTS. The foregoing warranty shall apply only if: (i) the Product has been properly installed and used at all times in accordance, and in all material respects, with the applicable Product documentation; (ii) no modification, alteration or addition has been made to the Product by persons other than PCTEL or PCTEL's authorized representatives or otherwise approved by PCTEL; and (iii) the Product has not been subjected to misuse, neglect or unusual physical, electrical or electromagnetic stress, or some other type of accident.



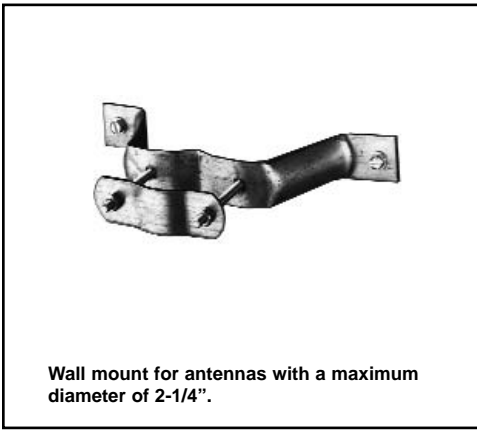
WARRANTY PROCEDURES: In the event of a warranty claim, Buyer must contact PCTEL to arrange for Product return. No Product will be accepted for replacement or repair without first obtaining a Return Material Authorization (RMA) number from PCTEL Customer Service by telephone: 630.372.6800 or email: antenna.techsupport@pctel.com. PCTEL reserves the right to inspect all defective Products. Product returned without an RMA number will not be processed and will be returned to Buyer freight collect. The warranty period of any repaired or replaced Product shall not extend beyond its original term. Equipment to be repaired or replaced under warranty is to be returned, freight prepaid, to the following address with the assigned RMA number quoted on the box:

PCTEL, Inc., Attn: RMA Coordinator
471 Brighton Drive
Bloomington, Illinois 60108 U.S.A.

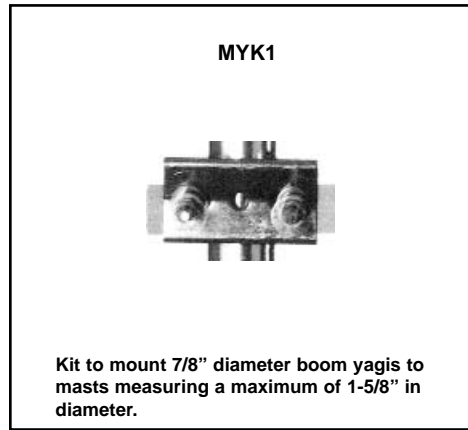
MYK ASSEMBLY INSTRUCTIONS

© 2008 PCTEL, Inc.
471 Brighton Drive, Bloomington, Illinois 60108
All Rights Reserved

Part #: MIS-MYK-2 Revision A
Printed in the U.S.A.

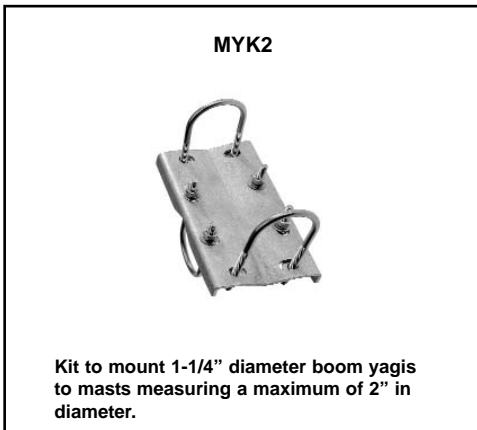


Wall mount for antennas with a maximum diameter of 2-1/4".



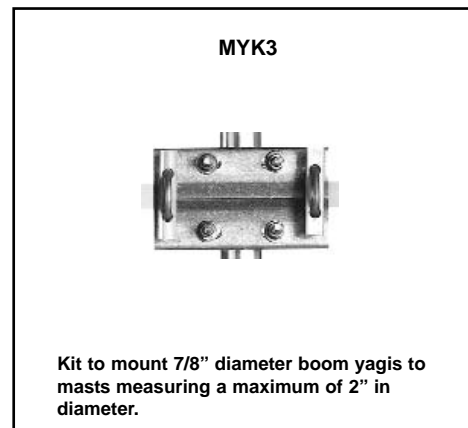
MYK1

Kit to mount 7/8" diameter boom yagis to masts measuring a maximum of 1-5/8" in diameter.



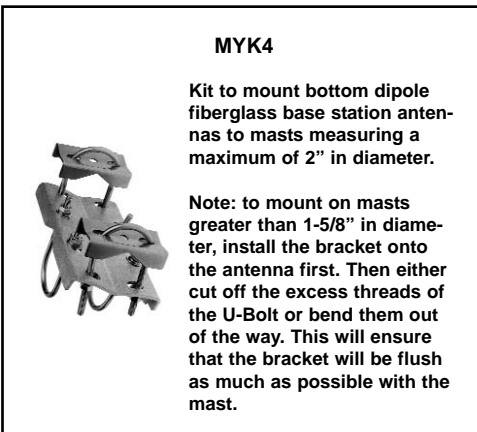
MYK2

Kit to mount 1-1/4" diameter boom yagis to masts measuring a maximum of 2" in diameter.



MYK3

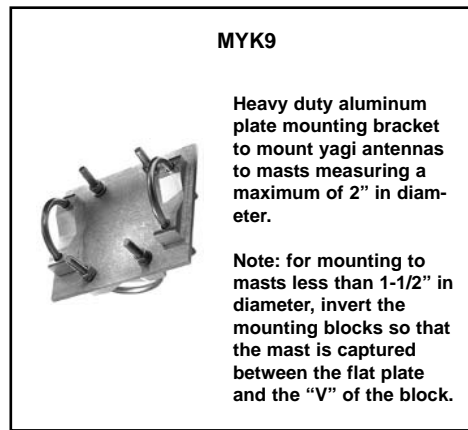
Kit to mount 7/8" diameter boom yagis to masts measuring a maximum of 2" in diameter.



MYK4

Kit to mount bottom dipole fiberglass base station antennas to masts measuring a maximum of 2" in diameter.

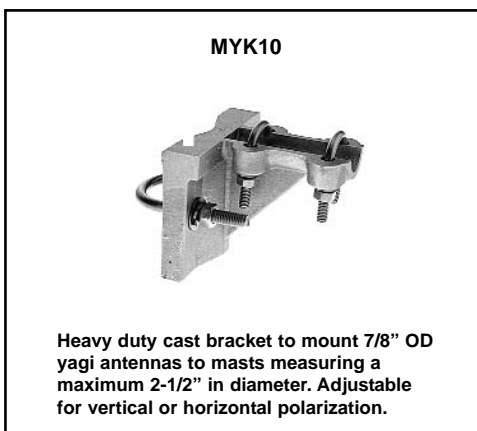
Note: to mount on masts greater than 1-5/8" in diameter, install the bracket onto the antenna first. Then either cut off the excess threads of the U-Bolt or bend them out of the way. This will ensure that the bracket will be flush as much as possible with the mast.



MYK9

Heavy duty aluminum plate mounting bracket to mount yagi antennas to masts measuring a maximum of 2" in diameter.

Note: for mounting to masts less than 1-1/2" in diameter, invert the mounting blocks so that the mast is captured between the flat plate and the "V" of the block.



MYK10

Heavy duty cast bracket to mount 7/8" OD yagi antennas to masts measuring a maximum 2-1/2" in diameter. Adjustable for vertical or horizontal polarization.



MYK14

Sand cast mounting bracket to mount 3/4" to 7/8" diameter boom yagis to masts measuring a maximum of 3" in diameter.